

Panel Specifications

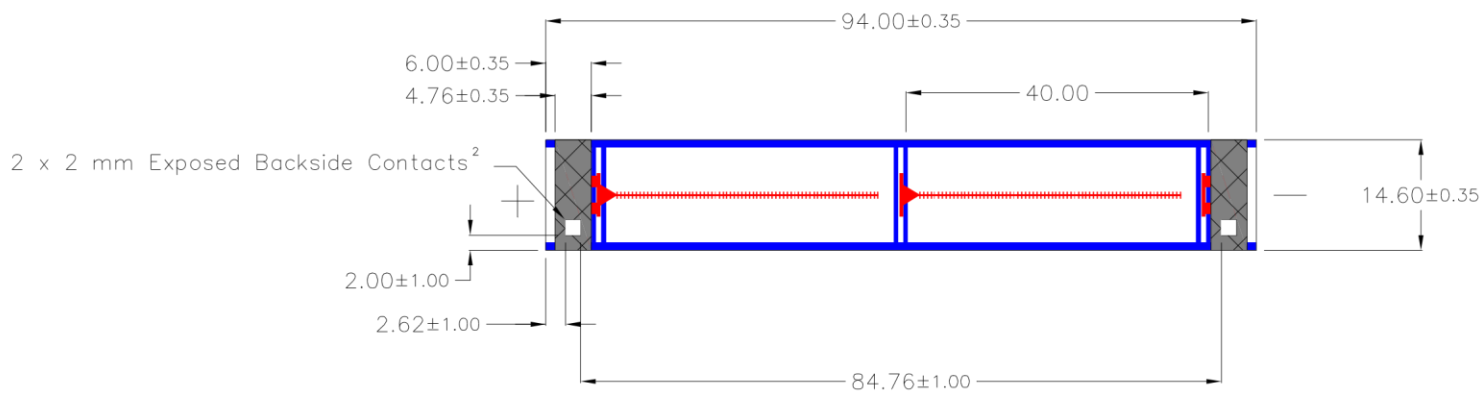
Electrical:

100% Sun: 18.6mA at 2.4V (44.7mW)<sup>1</sup>  
 25% Sun: 4.19mA at 2.4V (10.1mW)  
 Max Voc: 3.7V  
 Average Isc: 24.2mA

Mechanical:

f/b Laminate: 3 mil PET / 3 mil PET  
 3/16 in Copper Foil Busbar  
 2 x 2 mm Exposed Backside Contacts<sup>2</sup>  
 Thickness: 0.2-0.3mm  
 Appr. Weight: 0.40 grams  
 Operating Temperature: -25C to 65C<sup>3</sup>  
 Bend Radius: 1 inch fixed, 3 inch repetitive<sup>4</sup>  
 UV and Moisture Protection: Limited<sup>5</sup>

REVISIONS		DRAWING NO. ONP2.4-15x94	
REV	DESCRIPTION	REVIEW	DATE
1	2 Cell 15 x 94 mm Tandem Module	DS	10/29/2020



1. Tested at STC under AM1.5 1000W/m<sup>2</sup> equivalent conditions
2. Exposed contacts to tinned copper foil are recessed by approximately 0.15 mm
3. High temperature laminates available for up to 85C continuous, 100C peak (4 hours daily).
4. Contact engineering support for tighter flexing requirements
5. Tolerant to intermittent exposure to UV, moisture and weather. Full UV and weatherproofing options are available.

This document contains information which is the property of PowerFilm Inc. It is not to be duplicated, used, or disclosed in whole or in part for any purpose without prior written permission of PowerFilm Inc. All Dimensions +/- 1.2mm mm unless specified.		<b>PowerFilm Inc.</b> 1287 XE Place Ames, IA 50014 515-292-7606 515-292-1922(fax)	
SCALE 1:1		DATE: 10/24/2020	REF.
DRAWN Sam Jones		DRAWING NO. ONP2.4-15x94	
UNITS: mm			

# ONP2.4-15x94

