

Panel Specifications

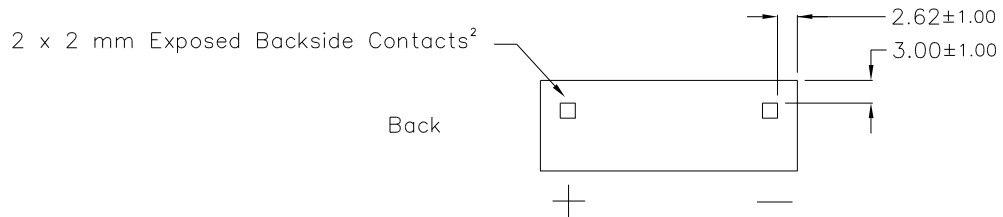
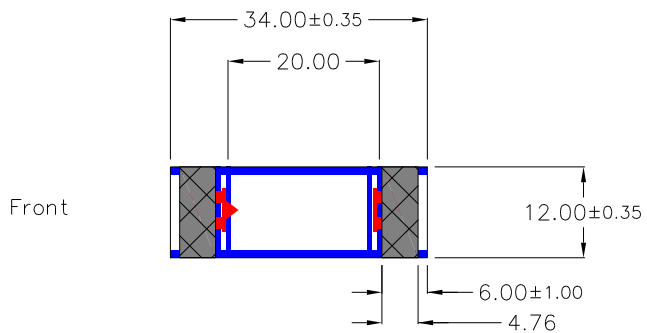
Electrical:

1000 Lux: 59.1uA at 1.1V (65uW)¹
 200 Lux: 12.4uA at 0.8V (9.9uW)
 Max Voc: 1.85V (Direct Sunlight)
 Average Isc: 9.4mA (Direct Sunlight)

Mechanical:

f/b Laminate: 3 mil PET / 3 mil PET
 3/16 in Copper Foil Busbar
 2 x 2 mm Exposed Backside Contacts²
 Thickness: 0.2–0.3mm
 Appr. Weight: 0.104 grams
 Operating Temperature: -25C to 65C³
 Bend Radius: 1 inch fixed, 3 inch repetitive⁴
 UV and Moisture Protection: Limited⁵

REVISIONS		DRAWING NO. INP1.2-12x34	
REV	DESCRIPTION	REVIEW	DATE
1	1 Cell 12 x 34 mm Low Light Tandem Module	SJ	3/22/2021
1	Added handling QR code, backside drawing	SJ	10/25/2021



Panel Information, Handling and Assembly Best Practices



1. Tested under a cool white LED spectrum. Extended exposure above rated light intensity can reduce panel performance
2. Exposed contacts to tinned copper foil are recessed by approximately 0.15 mm
3. High temperature laminates available for up to 85C continuous, 100C peak (4 hours daily).
4. Contact engineering support for tighter flexing requirements
5. Tolerant to intermittent exposure to UV, moisture and weather. Full UV and weatherproofing options are available.

This document contains information which is the property of PowerFilm Inc. It is not to be duplicated, used, or disclosed in whole or in part for any purpose without prior written permission of PowerFilm Inc. All Dimensions +/- 1.2 mm unless specified.		PowerFilm Inc.		1287 XE Place Ames, IA 50014 515-292-7606 515-292-1922(fax)
		TITLE 1 Cell 12 x 34 mm Low Light Tandem Module		
SCALE	1:1	DATE	3/15/2021	REF.
UNITS:	mm	DRAWN	John Fecht	DRAWING NO. INP1.2-12x34
		CHECKED		